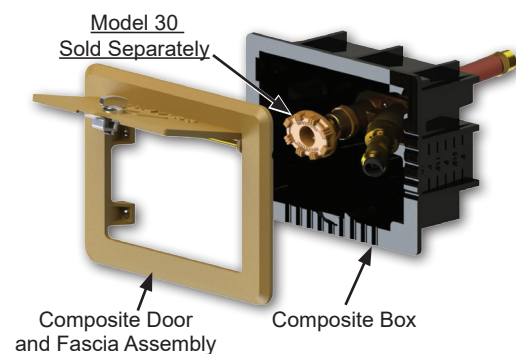




MB30BX Modular Box System

The Woodford Modular Box System (MB30BX) is designed to securely house a Model 30 wall faucet (SOLD Separately) on residential and light commercial buildings. The MB30BX includes a light weight composite box that is stubbed out of a frame or masonry wall. After the wall is finished, a durable composite door and fascia assembly is simply screwed into the box to create a secure access and an attractive front.

- Standard: Thumb latch cylinder lock.
- Optional: Key (K) cylinder lock.
- Shipped in individual carton
- Shipping Weight: 2 lb-15 oz



RK-30MBDR

Replaceable Composite Door & Fascia Repair Kits

- Shipped in individual carton - Shipping Weight: 1 lb-5 oz
 - Fits the MB30BX Modular Box
 - Tan color
 - (2) Lock options



RK-30MBDR
Standard Thumb Latch
Cylinder Lock



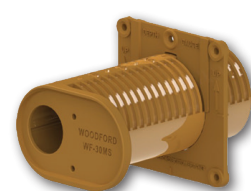
RK-30MBDR-K
Key Cylinder Lock

RK-Bracket

RK-Bracket can be used to mount or support the box in a stud wall. Hole centers are provided on back of box for drilling (2) 9/32" holes. Bracket extends from 10" to 19".



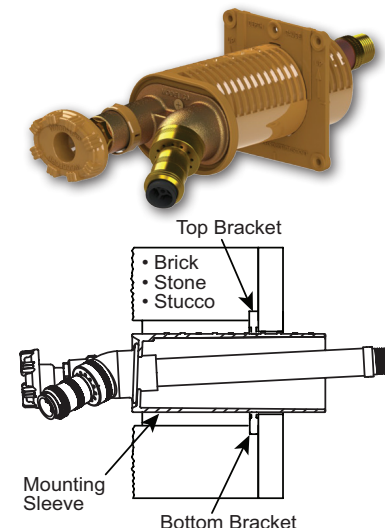
WF-30MS Mounting Sleeve



The Model 30 Wall Faucet Mounting Sleeve (WF-30MS) takes the guesswork out of how far to stub-out Woodford Model 30 freezeless faucets through brick, stone or stucco veneers. It also provides a secure anchor for the faucet.

The Model 30 Mounting Sleeve allows the plumber to determine a stub-in location and set an adjustable finish depth required by the brick or stone mason. A numbered scale is built into the top of the Mounting Sleeve.

The faucet installation is completed by mating the faucet wall flange to the front of the Mounting Sleeve and securing with two, furnished flange screws. The proper drain angle is built-in to the faucet head casting.



Mounting Sleeve is 6" long with adjustable depth increments of 1/2".
Boxed 10 to a carton.



NOTICE

- All faucets are intended For Irrigation and Outdoor Watering.
- All faucets are not recommended for continuous use.
- All specifications are subject to change without notice.

Visit our website for Patent Information, Individual Spec. Sheets, Installation and Troubleshooting Instructions
www.woodfordmfg.com or call 1-800-621-6032

Installation Requirements:

- The inlet connection must be located in a heated area.
- The gap between the house and faucet must be sealed to prevent air leaks.
- The faucet must be installed with a slight downward pitch toward the nozzle.
- Adequate insulation is required around the faucet wall board and sill plate.

Limited Warranty

All goods are sold with a limited warranty for one year against defects in material and workmanship. We will replace or issue credit (at our option) for defective goods that are returned for inspection and found to be defective within one year of purchase from Woodford.

Add-On Vacuum Breakers & Backflow Preventers

- Ideal for hose connections to prevent backflow conditions.
- Brass and Stainless Steel components
- Standard Brass (BR) Optional: Chrome Plated (CH)
- 3/4" female hose thread inlet
- 3/4" male hose thread outlet nozzle
- 125 p.s.i. Max Pressure
- 120° F Max Temperature



NIDEL® Model 34H Vacuum Breaker

For non-freezing areas only

- ASSE 1011 Approved, Listed by IAPMO
- Approved by Canadian Standards Association
- One (1) rubber diaphragm



NIDEL® Model 34HD Vacuum Breaker

- Same specs as 34H
- Includes a theft resistant stainless steel stop collar
- Manual draining is required
- Use in freezing and non-freezing conditions

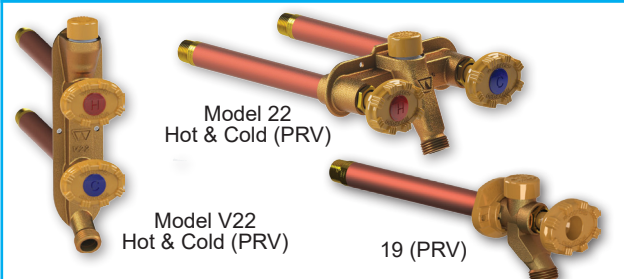


Patented NIDEL® Model 50H

High Flow Double Check Backflow Preventer

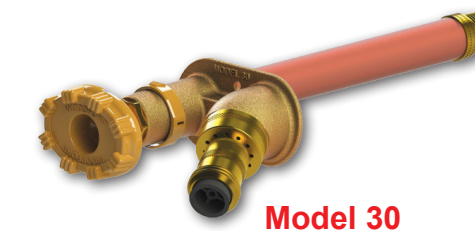
- ASSE 1052 Approved
- Field Testable
- Two (2) independent rubber diaphragms
- Drains automatically when hose is removed
- No spray back
- Use in freezing and non-freezing conditions

Anti-Burst Wall Faucets
 See separate brochure for models and features.

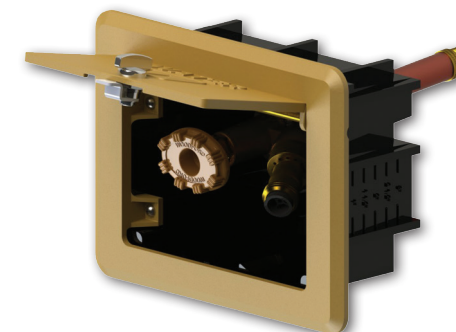


Woodford Manufacturing Company, LLC.
 2121 Waynoka Road
 Colorado Springs, CO 80915 USA
 800-621-6032
 800-765-4115 (Fax)
sales@woodfordmfg.com
www.woodfordmfg.com

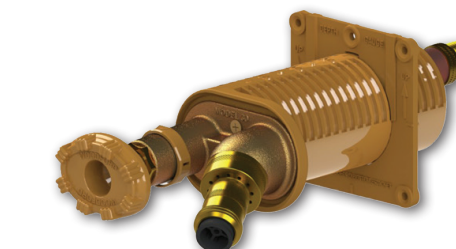
© Woodford Mfg. Co. 2013 Printed in the U.S.A.



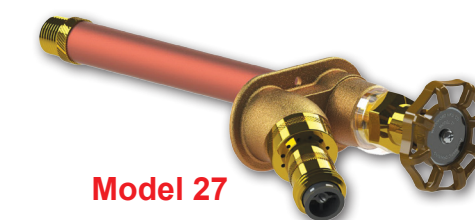
Model 30



Model MB30BX
Modular Box System



Model WF-30MS
Mounting Sleeve



Model 27



Model 25

Woodford Model 30, 27 & 25 wall faucets automatically drain as the handle is shut off, even if a hose is attached. Faucets are designed to provide year-round outdoor water service regardless of outside temperature. All models are suited for residential and light commercial applications.

The Model 30 is the most versatile faucet in the automatic draining lineup. Add a Modular Box or Mounting Sleeve to solve most installation challenges.

- Wall thickness: 4" - 24" in 2" increments
- 3/4" male hose thread nozzle
- Metal handles - Tee key option available
- No lead solder on all solder joints
- Red brass head casting
- Solid brass operating rod
- 6 Inlet variations
- MAX PRESSURE; 125 p.s.i.
- MAX TEMPERATURE; 120° F

Scan For Specifications, Installation and Troubleshooting



For information, please contact:

Freezeless Automatic Draining Wall Faucets Specifications / Inlets



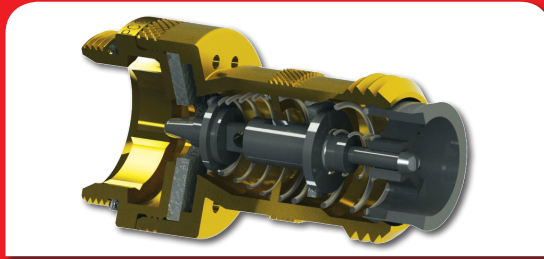
When ordering, specify model, Inlet and Wall Thickness.....Example 30CP-12

MODEL	SPECIFICATIONS	INLET
30	<ul style="list-style-type: none"> • ASSE 1053, UPC cUPC Approved • *ASSE 1052 Nidel® Model 50HA High Flow Double Check Backflow Preventer • No sprayback • Oval Die-Cast Aluminum Handle • All structural componets made of brass 	6 Inlet Options See Chart
27	<ul style="list-style-type: none"> • *ASSE 1052 Nidel® Model 50HA High Flow Double Check Backflow Preventer • Round metal handle • DELRIN® Stem Screw • Molded Nitrile Plunger • Cushion type hemispherical plunger 	
25	<ul style="list-style-type: none"> • ASSE 1011 Nidel® 34HA Anti-Siphon Single Check Vacuum Breaker • ASSE 1019-B, IAPMO, UPC, CSA Approved; Listed Gov. Spec WW-541b Type 205 • Round metal handle • DELRIN® Stem Screw • Molded Nitrile Plunger • Cushion type hemispherical plunger 	

INLETS Dia. X Min. Length Req'd. In Heated Area

C		COMBINATION Copper Sweat Fitting 1/2" K, L or M Inside 3/4" M Only Outside
CP		COMBINATION 1/2" Male Pipe Thread 1/2" Female Sweat
P		COMBINATION 1/2" Female Pipe Thread 3/4" Male Pipe Thread
PX		1/2" PEX Tube Fitting
PX3		3/4" PEX Tube Fitting

*NIDEL® Model 50HA Backflow Preventer



The patented NIDEL® Model 50HA high flow double check backflow preventer is standard equipment on specified wall faucet models. It is intended for irrigation and outdoor watering and is designed to protect hose connections from backflow contamination in freezing and non-freezing conditions.

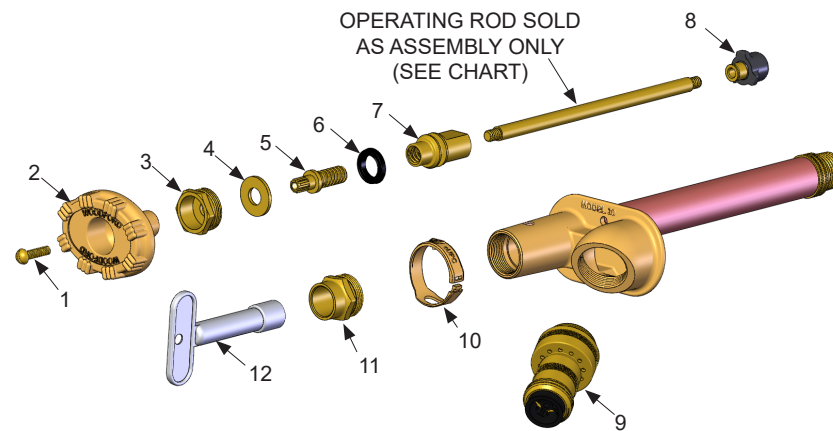
The Model 50HA automatically drains when the hose is removed and unlike single check vacuum breakers can be field tested for reliability.

- ASSE 1052 Approved
- Field Testable (see instruction sheet)
- Two independent check valves
- Drains automatically when hose is removed
- No spray back

SHIPPING WEIGHTS (Lbs. Each)

Model / Wall Thickness (inches)	4	6	8	10	12	14	16	18	20	22	24
25 & 27	2.0	2.1	2.2	2.3	2.4	2.5	2.7	2.9	3.1	3.3	3.5
30	2.0	2.1	2.2	2.3	2.4	2.5	2.6	2.7	2.8	2.9	3.0

Freezeless Automatic Draining Wall Faucets Parts / Rough-In Dimensions

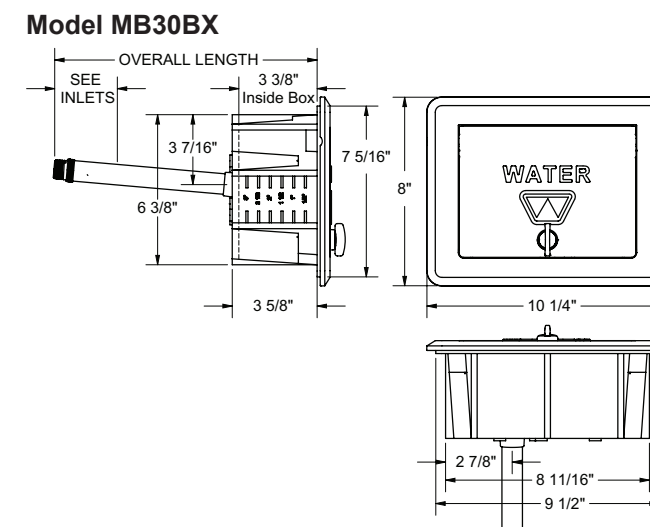
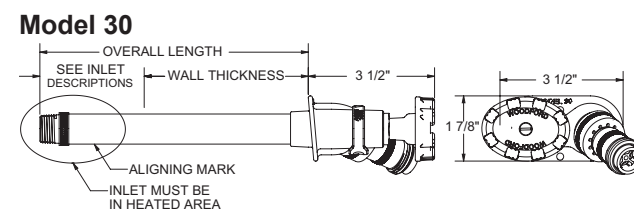


MODEL 30 PARTS LIST

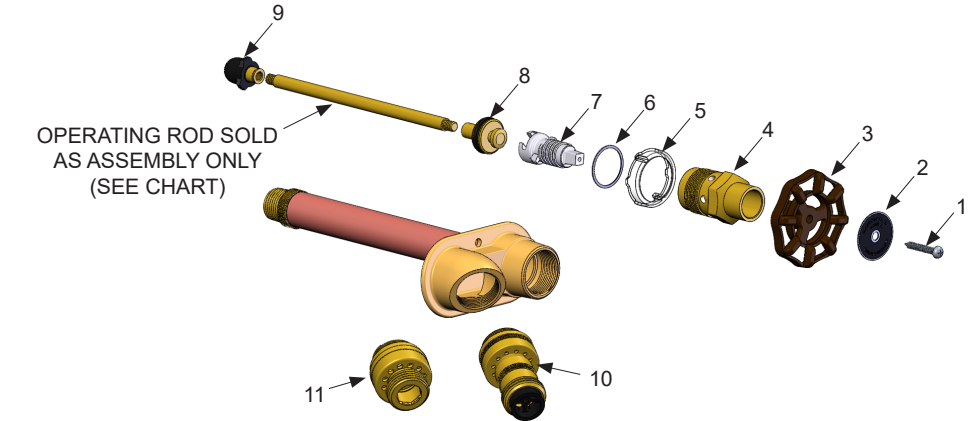
ITEM	PART#	DESCRIPTION
1	30002	Handle Screw
2	30559	Wheel Handle
3	30059	Packing Nut
4	30105	Packing Washer
5	30264	Stem Screw
6	30263	1/2" Quad Cup Seal
7	30262	Drain Valve Body
8	30260	Plunger Assembly
9	50HA-BR	Backflow Preventer (Double Check)
10	30261	Vent Cover Ring
11	30512	Packing Nut w/deep stem guard (Optional)
12	50012	Tee Key - 8 Pt. Spline (Optional)
553XX		Model 30 Operating Rod Assemblies (See chart for Overall Length)
RK-30		Repair Kit (Includes items 1-8)

Model 30 Operating Rod Assemblies

Wall Thickness (Inches)	Overall Length (Inches)	Part No.
4	8-1/16"	35554
6	10-1/16"	35556
8	12-1/16"	35558
10	14-1/16"	35560
12	16-1/16"	35562
14	18-1/16"	35564
16	20-1/16"	35566
18	22-1/16"	35568
20	24-1/16"	35570
22	26-1/16"	35572
24	28-1/16"	35574



Freezeless Automatic Draining Wall Faucets Parts / Rough-In Dimensions



MODEL 25 & 27 PARTS LIST

ITEM	PART#	DESCRIPTION
1	30234	Handle Screw
2	30438	I.D. Ring - Model 25
	30539	I.D. Ring - Model 27
3	30239	Wheel Handle - Metal
4	30241	Head Nut - Brass
5	30236	Drain Guard
6	30245	Head Nut Gasket
7	30238	Stem Screw
8	35280	Drain Valve Assembly
9	30230	Plunger Assembly
10	50HA-BR	Backflow Preventer, Double Check (Model 27)
11	34HA-BR	Vacuum Breaker, Single Check (Model 25)
553XX		Model 25 & 27 Operating Rod Assemblies (See chart for Overall Length)
RK-25		Repair Kit (Includes items 1, 3-9)

Model 25 & 27 Operating Rod Assemblies

Wall Thickness (Inches)	Overall Length (Inches)	Part No.
4	5 1/2"	35504
6	7 1/2"	35506
8	9 1/2"	35508
10	11 1/2"	35510
12	13 1/2"	35512
14	15 1/2"	35514
16	17 1/2"	35516
18	19 1/2"	35518
20	21 1/2"	35520
22	23 1/2"	35522
24	25 1/2"	35524

